

Antenna, Whip

ERF4096

Description

The ERF4096 antenna is a black 868 MHz antenna with a SMA (Male) Right angle connector. The antenna can also be used in the frequency range of 840 ~ 886 MHz / 1140 ~ 1330 MHz / 2500 ~ 2560 MHz . The antenna can be used for applications , such as M2M, IoT , GSM and more.

Technology

- WiFi
- LoRa
- ISM
- Zigbee
- GSM



Features

Electrical Properties	Description		
Frequency marker	Frequency band MHz	Return loss dB	V.S.W.R.
1	868	-10.6	<1.8
2	915	-7.9	<2.3
3	2.400	-5.9	<3.1
4	5.000	-8.3	<2.2
5	5.800	-3.9	<4.5
Nominal Impedance	50 Ω		
Polarization	Linear		

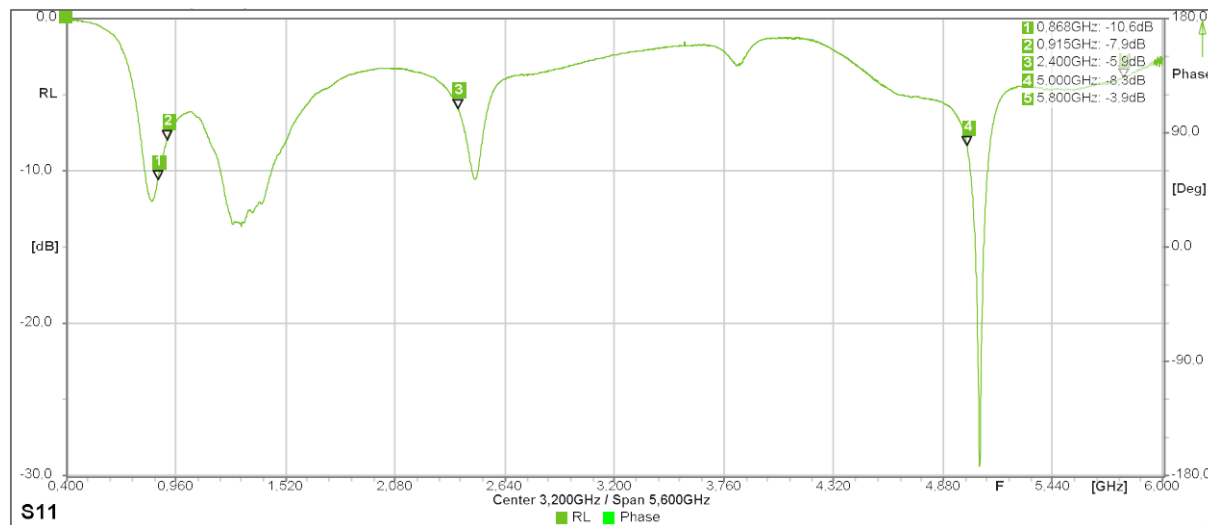
Antenna, Whip

ERF4096

Mechanical Properties	Description
Antenna	External Stubby Antenna
Mounting	Screw Type
Connector	SMA (Male) Right angle
Dimensions	54.4 ± 1.5 mm
Color	Black
Operating Temperature	-40°C~+85°C
Storage Temperature	-40°C~+85°C

Antenna Properties

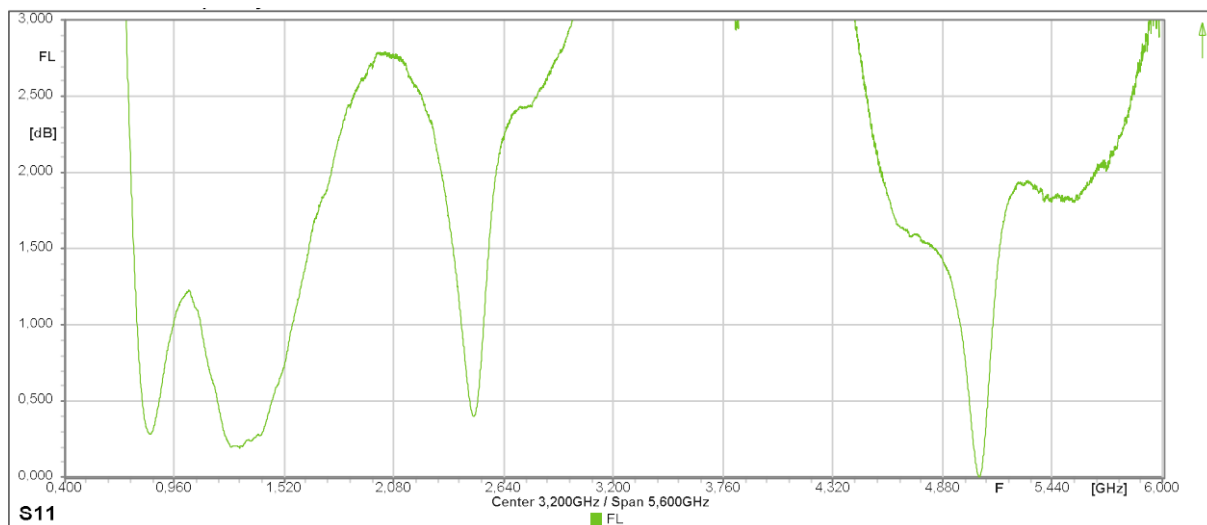
Return Loss



Antenna, Whip

ERF4096

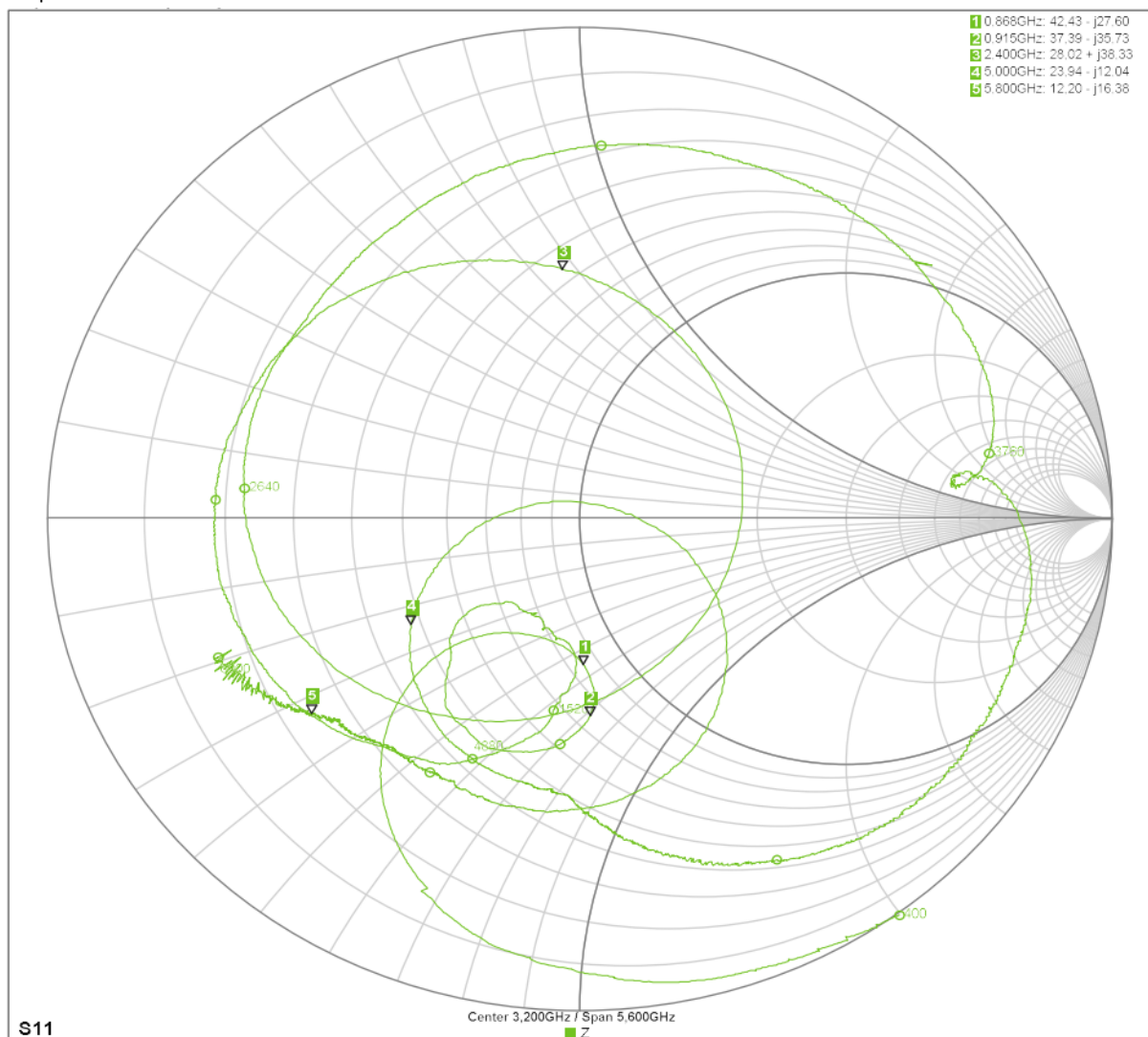
Forward Loss



Antenna, Whip

ERF4096

Impedance

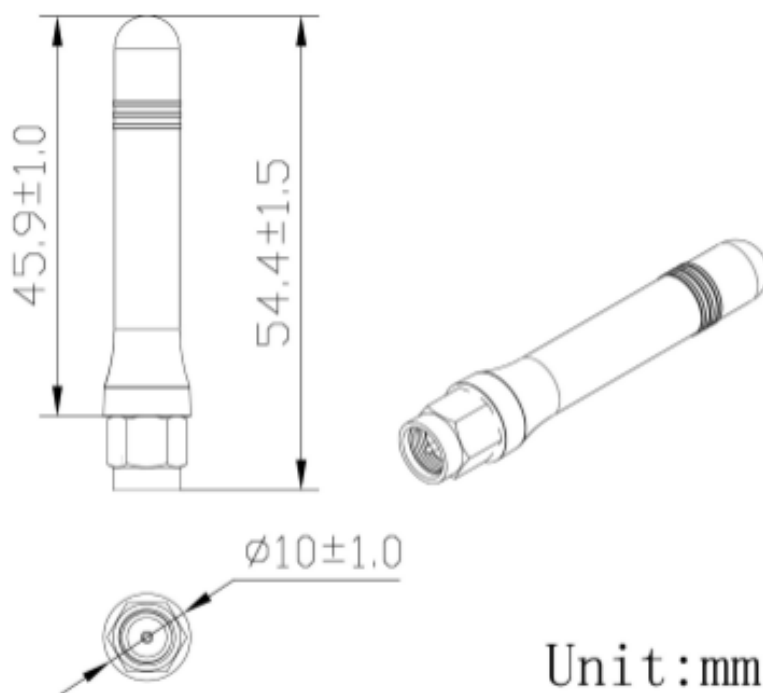


Antenna, Whip

ERF4096

Dimensions

*the ERF4096 uses a SMA male Right angle connector



Connectors



The ERF4096 antenna uses the SMA Male connector.

Antenna, Whip

ERF4096



Ordering information

Ordering can be done via www.summit-electronics.com or via info@summit-electronics.com. Please contact us for more information. Customisation of the product is available on request.

Technical support

For all product questions please contact us via info@summit-electronics.com

Document revision

Rev	Date	Changes
V01.00	06-04-2023	First issue of document